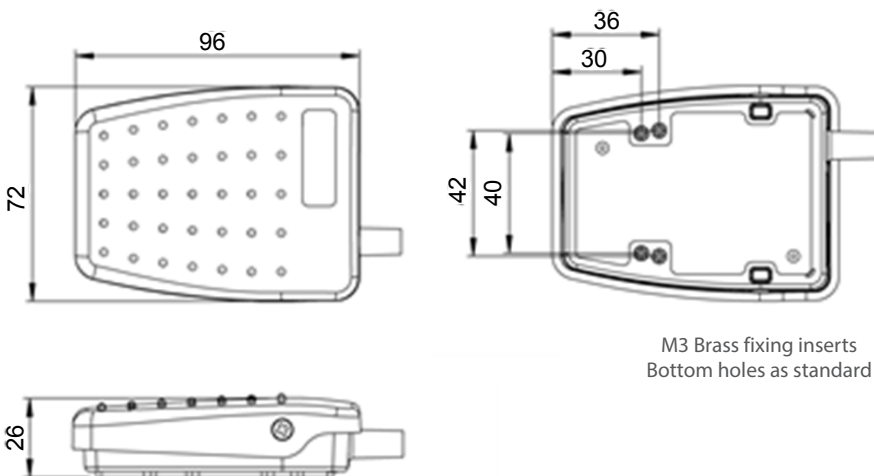




- ▶ **Low profile, rear hinged switch designed for improved user comfort**
- ▶ **All plastic construction with raised tread pattern and anti-slip pad**
- ▶ **Innovative design make it an ideal product for OEM use**

Specifications	
Standards/ approvals	Footswitch: low voltage directive 2017/35/EU, EN 60950
Degree of protection	EN 60529 IPX2
Connection method	2 m of black cable with stripped ends
Electrical rating	6A 250V AC
Contact configuration	SPST N/O ((Single pole normally open), Momentary action
Operating temperature range	-20°C to + 80° C
Body material	Thermoplastic
Weigh	0.12 kg

Dimensions





Accessoires

Part Number	Description
6202-0001	Single black, RAL 9005 guard
6202-0002	Single gray, RAL 7035 guard
6202-0003	Twin Grey, RAL 7035 guard



With 6202 Guard

Minimum delivered batch quantities - 100 pcs